



GENUINE MEGA

MEGA SPRAY SYSTEMS



At the core of water truck operations is a spray control system that integrates with each water distribution component (spray head valves, water pump, dump bar, etc) and brings them under the direction of the operator. Mega's spray control systems are built to be reliable, durable, and can be adapted for use on any hydraulic or pneumatic truck with 24 VDC power.

www.megacorpinc.com





GENUINE MEGA



MEGA SPRAY SYSTEMS

TABLE OF CONTENTS

- » Mega Spray Systems..... 5-4
- » Location of Main Components 5-5
- » Electro-Hydraulic Spray System 5-6
 - » Electro-Hydraulic Spray System Kit 5-7
 - » Mega Cab Control 5-8
 - » Hydraulic Solenoid Control Module 5-9
- » Mega DiSCS® 2.0 Digital Spray Control System 5-10
 - » Features and Benefits 5-11
 - » GPS Sensing for DiSCS® 5-12
 - » 2.0 DiSCS® Electro-Hydraulic Spray Control System Kit..... 5-13
 - » 1.5 DiSCS® Electro-Hydraulic Spray Control System Kit..... 5-14
 - » 1.5 DiSCS® Hydraulic Solenoid Control Module 5-15
 - » 1.5 DiSCS® Cab Control 5-16
- Optimize Your Water Applications..... 5-17
 - » Electro-Pneumatic Spray System 5-18
 - » Electro-Pneumatic Spray System Kit 5-19
 - » Mega Cab Control 5-20
 - » Pneumatic Solenoid Control Module 5-21
 - » Manual Pneumatic Spray System 5-22
 - » Manual Pneumatic Spray System Kit..... 5-23
 - » Mega Cab Control 5-24
 - » Air Regulator Supply 5-25
- » Water Level Systems..... 5-26
- » FAQ's-Mega Spray System 5-27

MEGA SPRAY SYSTEMS



Mega offers four different cab control systems for use on hydraulic and pneumatic trucks. All versions of the Mega cab control system require a reliable chassis 24 VDC switched power supply. If you have any questions on what system will work for you our product support department will be happy to help. Call us at 505.345.2661 or toll free at 1.800.345.8889.



Electro-Hydraulic

The most dependable spray control system offered by Mega Corp. This system is 100% electro-hydraulic requiring no air supply utilizing the prime movers hydraulic system for fluid power. Up to 6 spray heads and 3 accessory water valves can be controlled with this system. Like all Mega spray control system both interior and exterior LED water level gauges are included. Mega electro-hydraulic spray control system kits include all hosing, wiring, and fittings to complete installation



Digital Spray Control System-DiSCS®

Mega Digitally Integrated Spray Control System - DiSCS® utilizes logic controls to minimize wiring and maximize control of our standard electro-hydraulic spray control system. With standard included GPS ground speed sensing DiSCS® regulates water output based on ground speed to prevent overwatering. Mega DiSCS® cab controls are built to take the tough environment found in surface mining and heavy construction. DiSCS® also provides time based, distance based, and checkerboard type water patterns for maximum water use efficiency and haul road safety.



Electro-Pneumatic

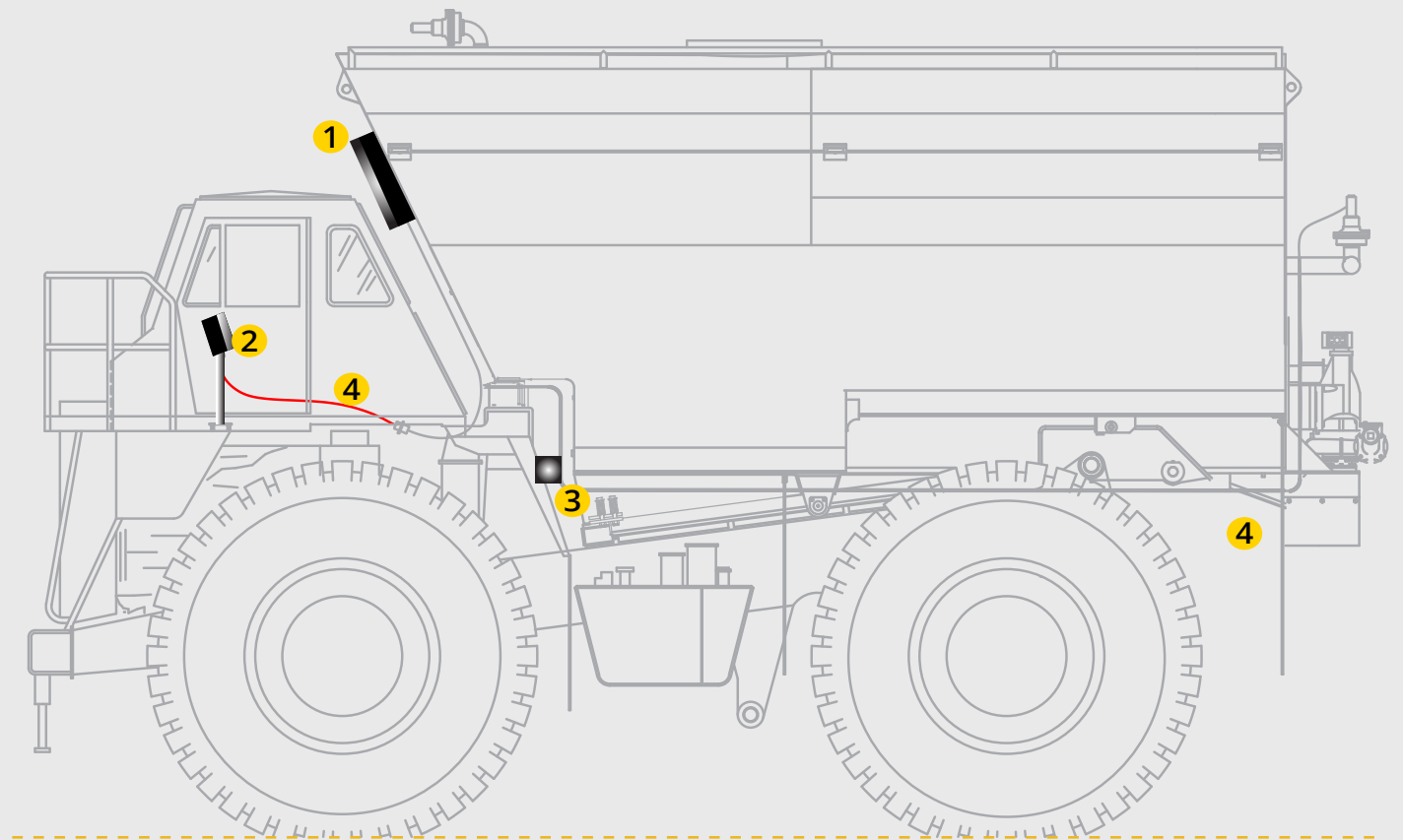
An inexpensive option suitable for any 12V or 24V truck with a reliable air supply, and can be configured for use on trucks with mechanical hoist valves. This system can control up to 6 spray heads and 3 additional pneumatic valve-operated components, and is pre-wired for foam-agent use. LED water level gauge included.



Manual Pneumatic

A cost-effective alternative to the electro-pneumatic system for any 12V or 24V truck with a reliable air supply. This system can control up to 8 spray heads, a water cannon, and 3 auxiliary pneumatic or electrically operated components. LED water level gauge included.

Location of the main components of a Mega Spray System.



- 1 Superbox.
- 2 Mega Cab Control.
- 3 Water Level Sensor.
- 4 Cabling.

This drawing is typical for a Mega MTT-Mega Rigid Truck Tank. Drawing is for general reference only and locations may vary per Mega product.

ELECTRO-HYDRAULIC SPRAY SYSTEM



Our most popular spray system kit the electro-hydraulic spray control system is suitable for any 24V hydraulic truck. This system can control up to 6 spray heads and 3 butterfly valve-operated components, and has all of the foundations necessary to be compatible with Mega’s Digital Spray Control System (DiSCS®). The Electro-Hydraulic control system is also pre-wired for foam-agent compatibility. The same durable Mega spray system components are maintained with all of the same parts supply, technical support, and documentation.

- ✓ Hydraulic solenoid control module is a weather-proof, water-tight, sealed compartment.
- ✓ For rugged use in the harshest environments for mining and construction.
- ✓ Includes kit installation instructions with recommended support parts and technical drawings.
- ✓ Dependable and durable our spray system is the best in the market.
- ✓ Designed to endure harsh environments.
- ✓ Buy parts online on our website or call our Parts Sales Department!
- ✓ Need to customize? Optional components available!

Electro-Hydraulic Features and Benefits



Severe Duty

Mega’s electro-hydraulic control system is designed to withstand the harshest environments encountered in the mining industry. All wiring is fully-protected against corrosion, solar exposure, electrical shock, and chafing. Additionally, the system’s solenoid control manifold is protected within a sealed, stainless steel, weather-resistant cabinet.



Easy Installation

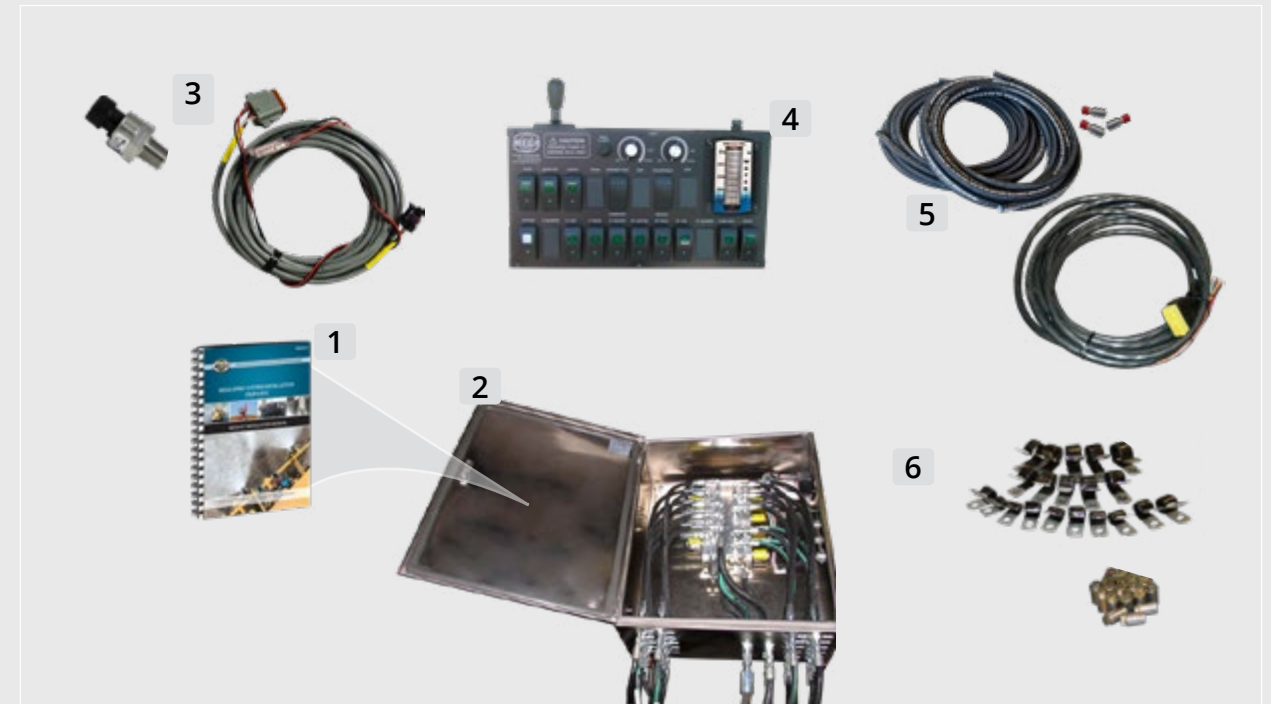
We make installation of our spray control systems simple and easy to understand. All of our kits come with complete installation drawings and instruction manuals, as well as all wiring harnesses, hosing, cabling, and fittings necessary to complete the installation—no fabrication required.



Simplified Maintenance

Minimize equipment downtime and reduce maintenance costs! With Mega’s electro-hydraulic spray system, you’ll never have to suffer days of down time due to burnt-out coils; all coils are connected via Deutsch plugs for rapid replacement. Mega provides full parts support for all of our spray systems; replacement parts can be quickly and easily ordered over the phone or online at our website.

Electro-Hydraulic Spray System Kit



Kit Includes:

| ITEM | DESCRIPTION |
|------|--|
| 1 | Electro-Hydraulic Spray System Kit Installation Instructions |
| 2 | Hydraulic Solenoid Control Module |
| 3 | Water Level Sensor Assembly |
| 4 | Mega Cab Control |
| 5 | Hydraulic Hosing, Electrical Cables, and Hardware |
| 6 | Mounting Hardware |

OPTIONAL COMPONENTS INCLUDE:

| |
|---|
| Hydraulic Spray Heads (Aluminum or Stainless Steel) |
| Spray Head Base Plates and Plate Adapters |
| Hydraulic Integration Kit |
| Water Pumps |
| Hydraulic Drive Motor and Flow Control |
| Water Pump Flanges and Mounts |
| Mega Water Cannon Kit |

Kits are subject to change. If you have any questions please contact your Mega sales representative at 505.345.2661 or toll free at 1.800.345.8889.

Mega Cab Control*

Comes with Electro-Hydraulic Spray System Kit

- 6 Spray Heads & Timer • Water Level • Drain & Dump Bar • Monitor & Adjustable Nozzle • Work Lights

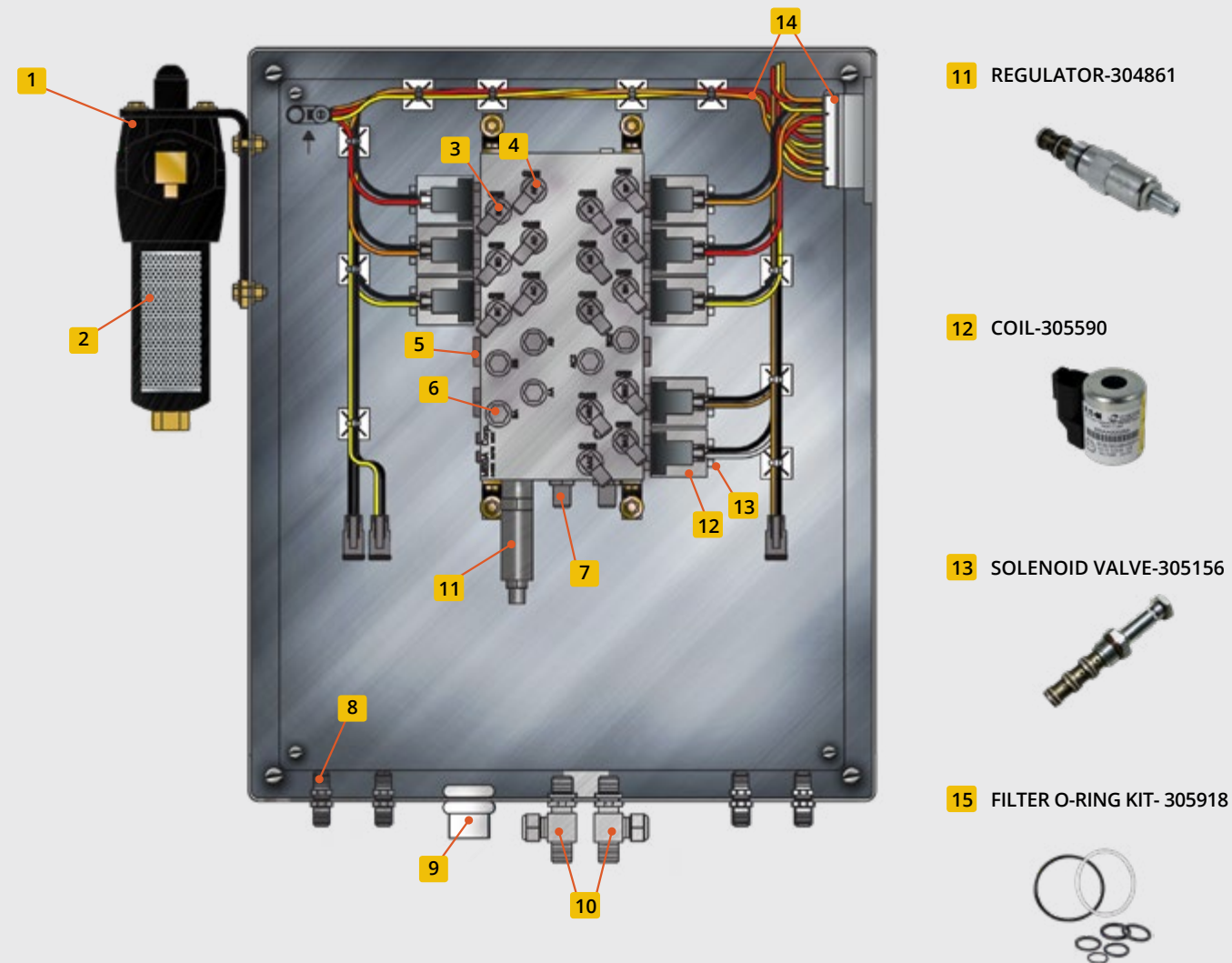
To purchase the complete Mega cab control please contact our Product Support or Part Sales Department at 505.345.2661 or toll free at 1.800.345.8889.



Hydraulic Solenoid Control Module Part No. 047403

Comes with Electro-Hydraulic Spray System Kit

- Spray Head Pressure (550 psi) • BFV Pressure (2000 psi)



| ITEM | PART NO. | DESCRIPTION | QTY | ITEM | PART NO. | DESCRIPTION | QTY |
|------|----------|--------------------------|-----|--|----------|-----------------------|-----|
| 1 | 303041 | Joystick, Universal | 1 | 7 | 305022 | Switch, Momentary | 1 |
| 2 | 305029 | Knob, Potentiometer | 2 | 8 | 303128 | Cover, Carling Switch | 5 |
| 3 | 307819 | Water Level Indicator | 1 | * Please call Mega Product Support at 505.345.2661 for correct application and for purchasing information. | | | |
| 4 | 305019 | Switch, Green Lens, SPST | 11 | | | | |
| 5 | 305020 | Switch, White Lens, SPST | 1 | | | | |
| 6 | 305021 | Switch, No Light, DPDT | 1 | | | | |

| ITEM | PART NO. | DESCRIPTION | QTY | ITEM | PART NO. | DESCRIPTION | QTY |
|------|----------|--|-----|------|----------|-----------------------------|-----|
| | 047403 | Mega Solenoid Box, Superbox, Hydraulic | 1 | 8 | 352641 | ADP, Bulkhead JIC 4-4 | 16 |
| 1 | 305277 | Filter Housing | 1 | 9 | 305880 | Drain, Condensation | 1 |
| 2 | 305276 | Filter Element | 1 | 10 | 354065 | TEE, Bulkhead JIC 6-6-6 | 2 |
| 3 | 352481 | ADP, JIC/ORB 4-4 90° | 8 | 11 | 309093 | Regulator | 1 |
| 4 | 355424 | ADP, JIC/ORB 4-4 90° LONG | 8 | 12 | 305590 | Coil, 24 VDC With Connector | 8 |
| 5 | 304860 | Plug, E05 Manifold Port | 3 | 13 | 305156 | Solenoid Valve | 8 |
| 6 | 353475 | Plug, #4 ORB | 6 | 14 | 044740 | Cable Assembly, Master | 1 |
| 7 | 352606 | ADP, JIC/ORB 6-6 0° | 2 | 15 | 305918 | Filter O-ring Kit | 1 |

REV 00D 8/1/2019

DISCS®- DIGITAL SPRAY CONTROL SYSTEM



There is a growing demand for precise application of water spray for dust suppression in surface mining, and construction applications to promote water conservation and operator safety. To address these issues Mega has designed the DiSCS® - Digital Spray Control System.

DiSCS® utilizes CAN Bus* technology to operate the spray control system controlling the water pump, water spray, and water actuation. When combined with our GPS, DiSCS® provides a method to automatically regulate the amount of water spray applied relative to vehicle ground speed or distance traveled.

The DiSCS® System-Flexible, Smart, Rugged



The DiSCS® compact switch pad is based on CAN Bus protocol and is water and dust resistant. The LED switch pad lights up with the many different watering patterns and controls.

- ✓ Simple and rugged construction for heavy-duty operation
- ✓ Adjustable switch pad brightness
- ✓ RAM® mount (where applicable) is fully adjustable to any operator
- ✓ In-cab water level indicating system
- ✓ Total system pause function
- ✓ Work light and auxiliary controls
- ✓ Durable switch pad legend inserts

DiSCS® Spray System Features and Benefits



Distance-Based Spraying (Checkerboard)

Alternating intermittent watering patterns reduces water consumption and ensures one steering tire and one drive tire remain on a dry surface.



Speed-Based Spraying (Continuous Coverage)

Sequence-based intermittent spray system operation uses Pulse Width Modulation (PWM) to vary the amount of water flow while maintaining a continuous rate of water application, independent of speed.



GPS

Distance and speed-based operation modes utilize a GPS-based speed signal to automatically stop/start water flow when the vehicle stops/starts moving, while in GPS mode.



Time Based Spraying (Banding)

Operator adjustable, full width, intermittent wet/dry pattern.



Manual Spraying

The system can be operated manually independent of GPS signal.

*CAN Bus-Controller area network based on standard ISO 11898/SAE J1939.



Reliability

DiSCS® utilizes Mega water pump, hydraulic motor, Mega spray heads, and electro-hydraulic controls. There are no complex modifications to the vehicle's hydraulic systems or powertrain.



Versatility

DiSCS® is adaptable to most, if not all, pieces of water equipment found worldwide. DiSCS® can be easily installed in the field on machines originally equipped with a Mega spray system, or can be retrofit to many older models equipped with a competitor's spray systems.



DiSCS® Retro-Fit Kits

Mega DiSCS® spray control can be applied to virtually any older Mega or competitor's water distribution equipment offering these advantages:

- Standardized operator and maintenance training.
- Genuine Mega Product Support and parts (also available on-line, and documentation).
- Readily available repair and maintenance components, common to most Mega water distribution products.

Standard DiSCS® Superbox Features

The DiSCS® Superbox is a water-tight, sealed compartment with weather-proof rating built for rugged use in the harshest environments for mining and construction.



Photo includes optional equipment, sold separately.

- The Superbox consolidates the hydraulic system solenoid logic controls in a weather-proof, easy-to-access enclosure that securely protects critical components.
- Externally-mounted system filter assembly to protect hydraulic control valves.
- Logic control modules include individual fusing and self-diagnostics to assist in troubleshooting.
- Durable wiring harness with Deutsch® connections throughout. Harness includes additional pre-wired functions for easy plug-and-play of additional functions.

Water Pump Protection Features

- ✓ **Soft Start/Stop**
System controlled soft starts/stops to protect against operator induced sudden starts and stops that can decrease drive motor and water pump service life.
- ✓ **Low water**
Automatic soft-stop when low water level is detected which prevents the dry running of the water pump.
- ✓ **Overheating**
Automatic soft-stop after extended water pump operation with spray heads and water cannon valves closed (no water flowing from the pump).

GPS Sensing for DiSCS®



The DiSCS® GPS-Global Positioning System works with existing Mega spray system hardware which includes water pump, hydraulic motor, spray heads, and DiSCS® electro-hydraulic controls. A self-contained GPS unit is used to determine ground speed.



GPS-Based Sensing

DiSCS® uses GPS data to determine ground speed. The GPS system is universal, there is no special application-specific engineering required and the system is not vulnerable to contamination like radar-based systems.



Self-Contained

DiSCS® does not require connections to other vehicle systems to determine speed. Because it is self-contained, it is easy to adapt to a wide variety of machine applications.



Automatic Water Consumption Reduction

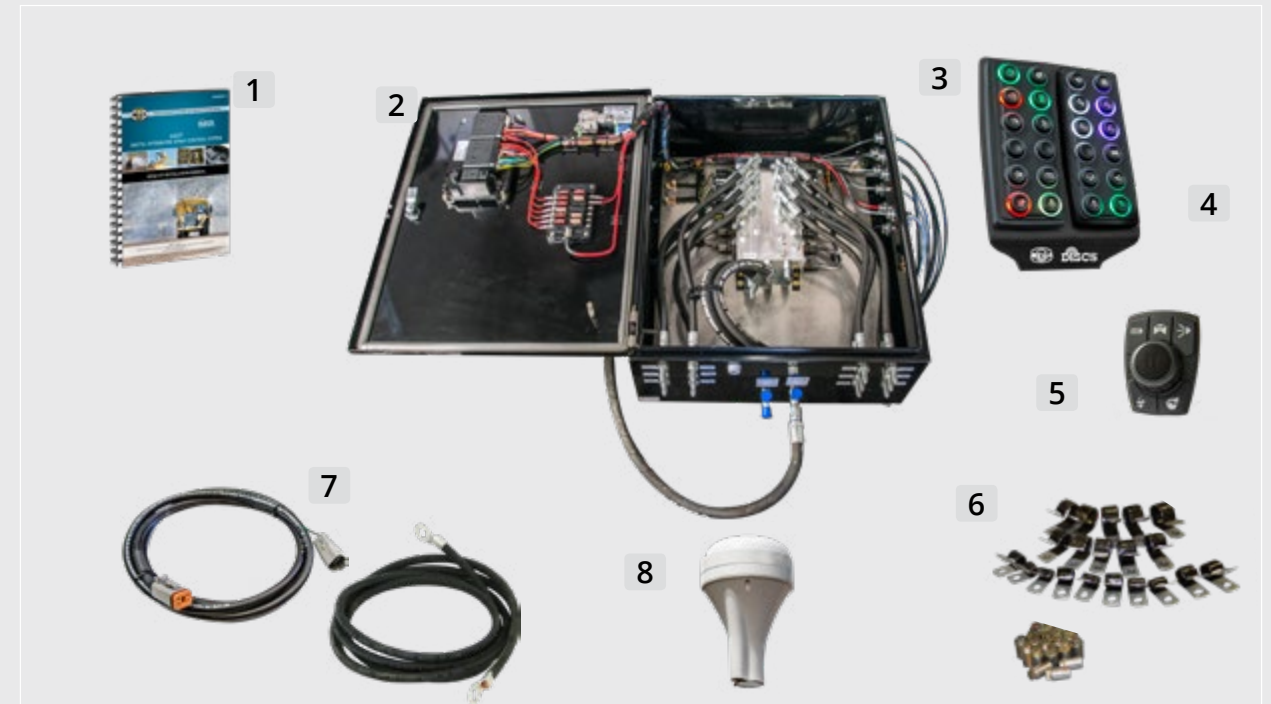
The DiSCS® system utilizes a pulsing strategy, to automatically limit the amount of water consumed, based on vehicle speed while maintaining road dust control coverage. Utilizing the PWM strategy avoids the addition of complex and costly variable flow hydraulic systems and the resulting impact on machine reliability. Multiple application choices are available-including continuous water layer, checker boarding, and operator selectable.



Automatic Shut-off

The DiSCS® system automatically shuts off the flow of water as the vehicle comes to a stop to prevent puddling. Spraying automatically resumes as the machine begins to move again.

DiSCS® 2.0 Electro-Hydraulic Spray System Kit



Kit Includes:

| ITEM | DESCRIPTION |
|------|--|
| 1 | DiSCS® Mega Hydraulic Spray System Installation Instructions |
| 2 | DiSCS® Hydraulic Solenoid Control Module |
| 3 | DiSCS® Mega Cab Control |
| 4 | Water Level Sensor Assembly |
| 5 | DiSCS® Water Cannon Joystick Control Box |
| 6 | Mounting Hardware |
| 7 | Electrical Cables and Hardware |
| 8 | * GPS Speed Sensing |

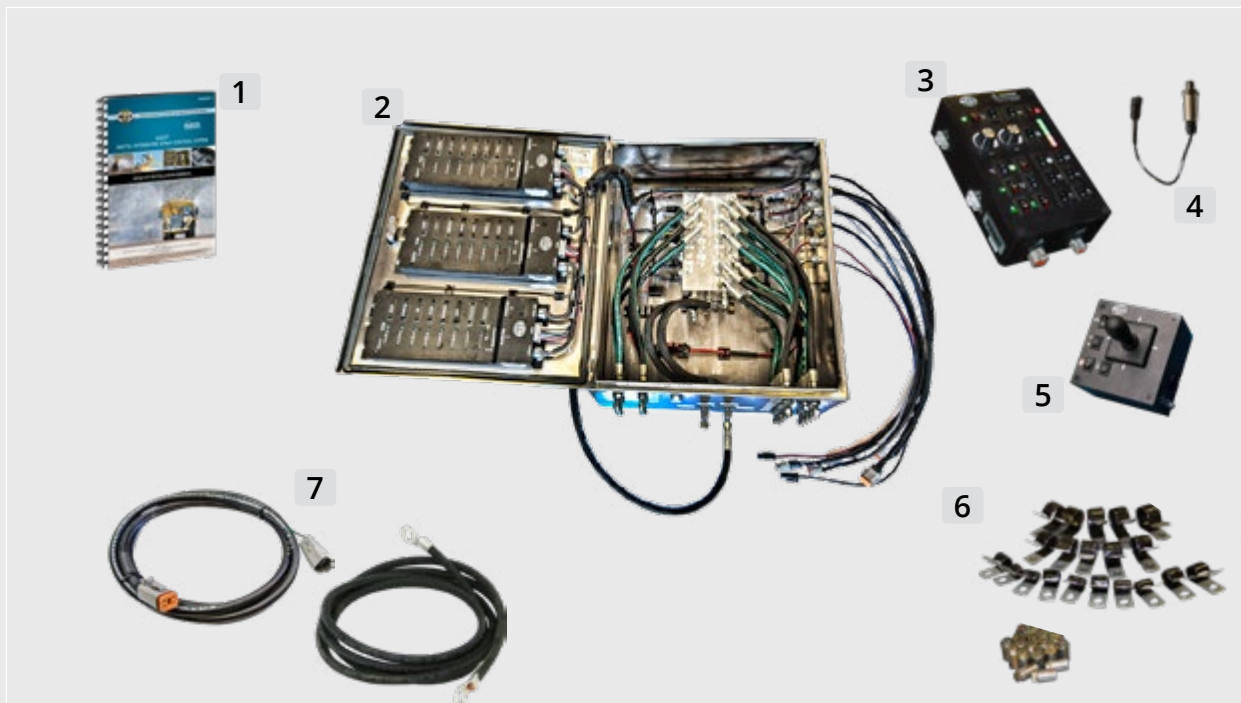
OPTIONAL COMPONENTS INCLUDE:

- Hydraulic Spray Heads (Aluminum or Stainless Steel)
- Spray Head Base Plates and Plate Adapters
- Hydraulic Integration Kit
- Water Pumps
- Hydraulic Drive Motor and Flow Control
- Water Pump Flanges and Mounts
- Mega Water Cannon Kit

* Please contact Product Support for inquiries on our GPS accessory.

Kits are subject to change. If you have any questions please contact your Mega sales representative at 505.345.2661 or toll free at 1.800.345.8889.

DiSCS® 1.5 Electro-Hydraulic Spray System Kit



Kit Includes:

| ITEM | DESCRIPTION |
|------|--|
| 1 | DiSCS® Mega Hydraulic Spray System Installation Instructions |
| 2 | DiSCS® Hydraulic Solenoid Control Module |
| 3 | DiSCS® Mega Cab Control |
| 4 | Water Level Sensor Assembly |
| 5 | DiSCS® Water Cannon Joystick Control Box |
| 6 | Mounting Hardware |
| 7 | Electrical Cables and Hardware |

OPTIONAL COMPONENTS INCLUDE:

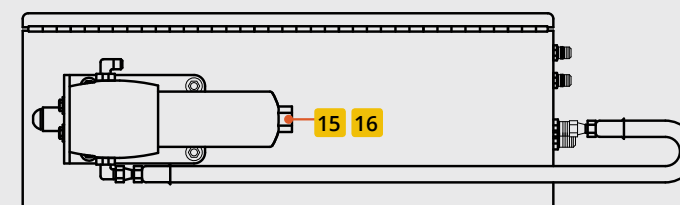
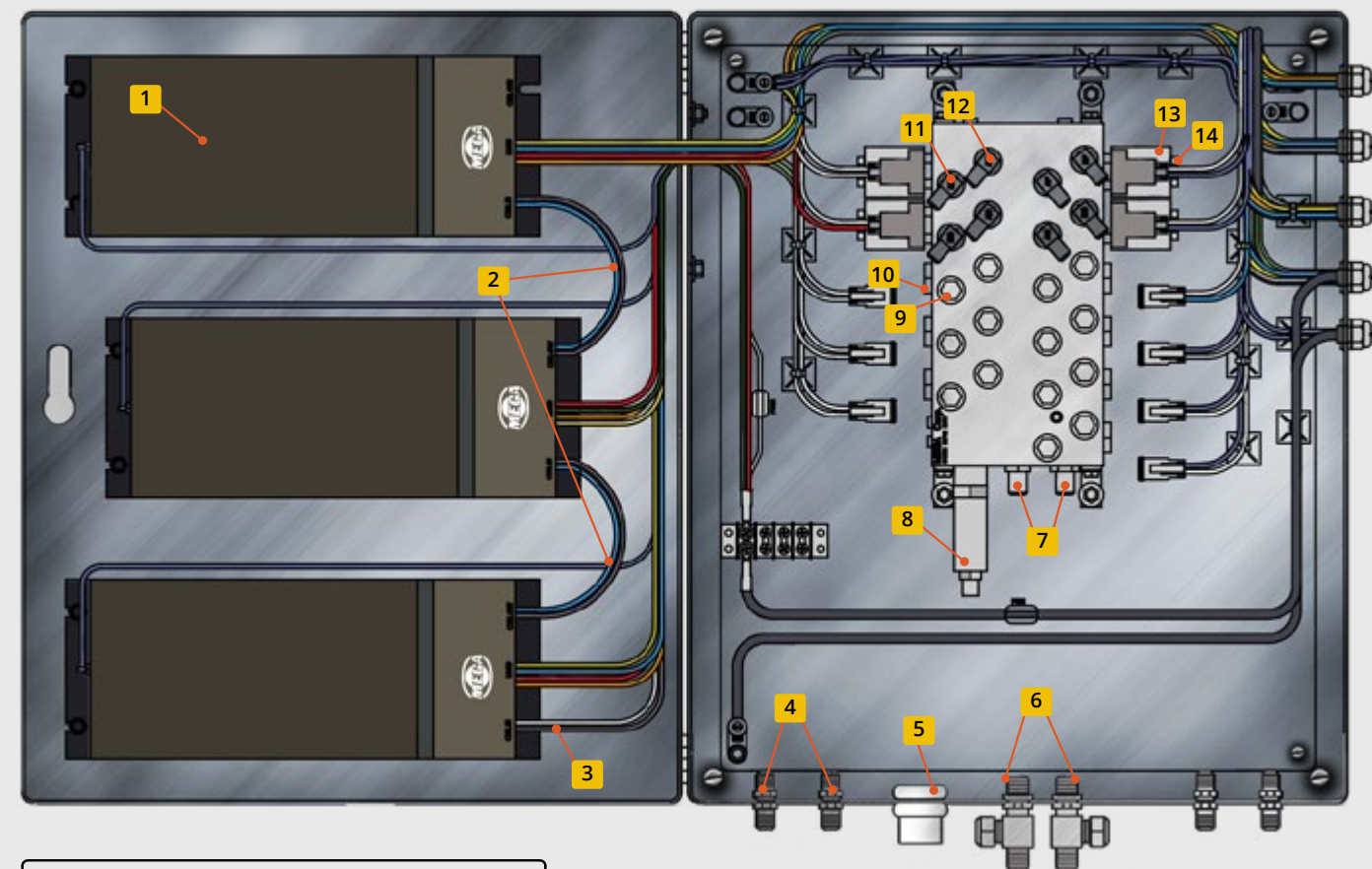
| |
|---|
| GPS Speed Sensing |
| Hydraulic Spray Heads (Aluminum or Stainless Steel) |
| Spray Head Base Plates and Plate Adapters |
| Hydraulic Integration Kit |
| Water Pumps |
| Hydraulic Drive Motor and Flow Control |
| Water Pump Flanges and Mounts |
| Mega Water Cannon Kit |

* Please contact Product Support for inquiries on our GPS accessory.

Mega DiSCS® 1.5 Hydraulic Solenoid Control Module Part No. 046860

Comes with DiSCS® Spray System Kit

- Spray Head Pressure (550 psi) • BFV Pressure 2000 psi)



17 FILTER O-RING KIT- 305918



| ITEM | PART NO. | DESCRIPTION | QTY | ITEM | PART NO. | DESCRIPTION | QTY |
|------|----------|--|-----|------|----------|-----------------------------|-----|
| | 046860 | Mega Solenoid Box, Superbox, Hydraulic | 1 | 9 | 353475 | Plug, #4 ORB | 14 |
| 1 | 306662 | Controller | 3 | 10 | 304860 | Plug, E05 Manifold Port | 7 |
| 2 | 046060 | Cable Assembly LIN, 84 inches | 1 | 11 | 352481 | ADP, JIC/ORB 4-4 90° | 4 |
| 3 | 046061 | Cable Assembly LIN, 84 inches | 1 | 12 | 355424 | ADP, JIC/ORB 4-4 90° LONG | 4 |
| 4 | 352641 | ADP, Bulkhead JIC 4-4 | 8 | 13 | 305590 | Coil, 24 VDC with Connector | 4 |
| 5 | 305880 | Drain, Condensation | 1 | 14 | 305156 | Solenoid Valve | 4 |
| 6 | 354065 | TEE, Bulkhead JIC 6-6-6 | 2 | 15 | 305277 | Filter Housing | 1 |
| 7 | 352606 | ADP, JIC/ORB 6-6 0° | 2 | 16 | 305276 | Filter Element | 1 |
| 8 | 309093 | Regulator | 1 | 17 | 305918 | Filter O-ring Kit | 1 |

REV 00H 10/5/2018

Mega DiSCS® 1.5 Cab Control*

- 6 Spray Heads & Timer • Water Level • Drain & Dump bar • Monitor & Adjustable Nozzle • Work Lights

To purchase the complete Mega cab control please contact our Product Support or Part Sales Department at 505.345.2661 or toll free at 1.800.345.8889.

Part No. 306970



Part No. 306969



| ITEM | PART NO. | DESCRIPTION | QTY |
|------|----------|-------------------------------|-----|
| 1 | 306970 | Mega DiSCS® Cab Control | 1 |
| 2 | 306968 | On/Off Switch | 1 |
| 3 | 306965 | Programming Port Plug | 1 |
| 4 | 046059 | Cable Assembly, LIN, 45 ft. | 1 |
| 5 | 306761 | Cable Assembly, Power, 10 ft. | 1 |

8/31/2018

| ITEM | PART NO. | DESCRIPTION | QTY |
|------|----------|--|-----|
| 1 | 306969 | DiSCS® Water Cannon Joystick Control Box | |
| 2 | 306967 | Rocker Nozzle Switch | |
| 3 | 306968 | On/Off Switch | |
| 4 | 306966 | Locked Switch | |
| 5 | 306965 | Programming Port Plug | |
| 6 | 306761 | Cable Assembly, Power, 10 ft. | |

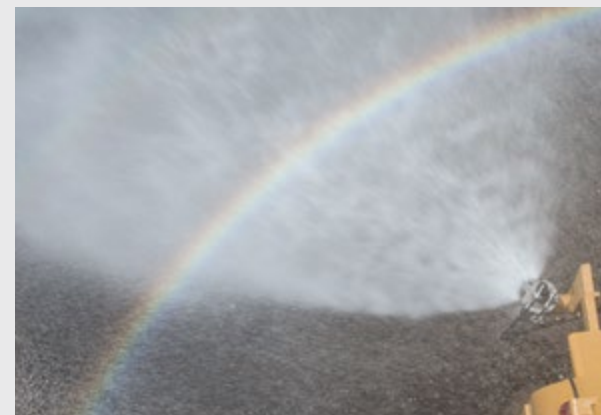
* Please call Mega Product Support at 505.345.2661 for correct application and for purchasing information.



HOW MEGA CAN HELP YOU OPTIMIZE YOUR WATER APPLICATIONS

At Mega we know that every mine and construction-site faces its own unique set of challenges, and that no single spray system configuration will work for all applications. To tackle this challenge, Mega spray systems are designed to be versatile to meet any application requirements.

In order to optimize water distribution efficiency, many environmental factors must be considered. The composition of the road, the grade of the slope, the wind, the temperature and humidity of the air, and the desired water coverage must all be taken into account. No other tank company has the depth of experience and staff expertise available to serve our customers that Mega offers. Please contact Mega Sales or Product Support to see how we can help you improve your water spray applications.



We understand that our most precious natural resources are limited. Water conservation is essential for reducing waste and for safe road conditions, which is why we emphasize efficient water usage methods and equipment.

ELECTRO-PNEUMATIC SPRAY SYSTEM



Mega's electro-pneumatic spray control system is an inexpensive option for any 24 Volt truck with a reliable air supply. This spray system can be configured to control up to 6 spray heads as well as 3 butterfly valves for operation of a water cannon (hydraulic or electric), drain, and dump bar.

The electro-pneumatic spray system is a reliable, durable Mega standard. Included is a tractor air supply protection valve that will shut down the system in case of an air leak. The spray system also comes with a built-in air pressure regulator and filtering, with a manual shut-off valve. And, if your truck has a mechanical hoist valve, the electro-pneumatic spray system can be configured for your truck by using pneumatic cylinders for operation.

The electro-pneumatic system includes a standard brick-style control box that can be ordered with or without a solenoid driver card. Its compact size and shape is very convenient for smaller cabs where space might be limited.

Electro-Pneumatic Spray System Features and Benefits



Versatile

Adaptable to be installed on any 24 Volt truck with a reliable air supply and is particularly ideal for scraper tanks and older rigid frame trucks.



Intermittent spray

Timed Intermittent Spray mode is a standard feature.



Easy Installation

We make installation of our spray control systems simple and easy to understand. All of our kits come with complete installation drawings and instruction manuals, as well as all wiring harnesses, hosing, cabling, and fittings necessary to complete the installation-no fabrication required. The electro-pneumatic system also comes with built-in air pressure regulation and filtration.



Simplified Maintenance

Minimize equipment downtime and reduce maintenance costs! Mega's electro-pneumatic spray system requires less service time than other systems on the market, due to our high quality wiring harnesses, weather-resistant steel housing for our solenoid module, protected cabling, and service drawings and instructions. Additionally, all coils are connected via Deutsch plugs for rapid replacement. Mega provides full parts support for all of our spray systems. Replacement parts can be quickly and easily ordered over the phone or online at our website.

Electro-Pneumatic Spray System Kit



Kit Includes:

| ITEM | DESCRIPTION |
|------|--|
| 1 | Electro-Pneumatic Spray System Installation Instructions |
| 2 | Pneumatic Solenoid Control Module |
| 3 | Mega Cab Control |
| 4 | Water Level Sensor Assembly |
| 5 | Mounting Hardware |
| 6 | Air Hosing, Electrical Cables and Hardware |

Optional components includes:

| |
|---|
| Pneumatic Spray Heads |
| Spray Head Base Plates and Plate Adapters |
| Water Pumps |
| Hydraulic Drive Motor and Flow Control |
| Water Pump Flanges and Mounts |
| Mega Water Cannon Kit |

Kits are subject to change. If you have any questions please contact your Mega sales representative at 505.345.2661 or toll free at 1.800.345.8889.

Mega Cab Control*

Comes with Electro-Pneumatic Spray System Kit

- 6 Spray Heads & Timer • Water Level • Drain & Dump bar • Monitor & Adjustable Nozzle • Work Lights

To purchase the complete Mega cab control please contact our Product Support or Part Sales Department at 505.345.2661 or toll free at 1.800.345.8889.



| ITEM | PART NO. | DESCRIPTION | QTY |
|------|----------|--------------------------|-----|
| 1 | 303041 | Joystick, Universal | 1 |
| 2 | 305029 | Knob, Potentiometer | 2 |
| 3 | 307819 | Water Level Indicator | 1 |
| 4 | 305019 | Switch, Green Lens, SPST | 11 |
| 5 | 305020 | Switch, White Lens, SPST | 1 |
| 6 | 305021 | Switch, No Light, DPDT | 1 |

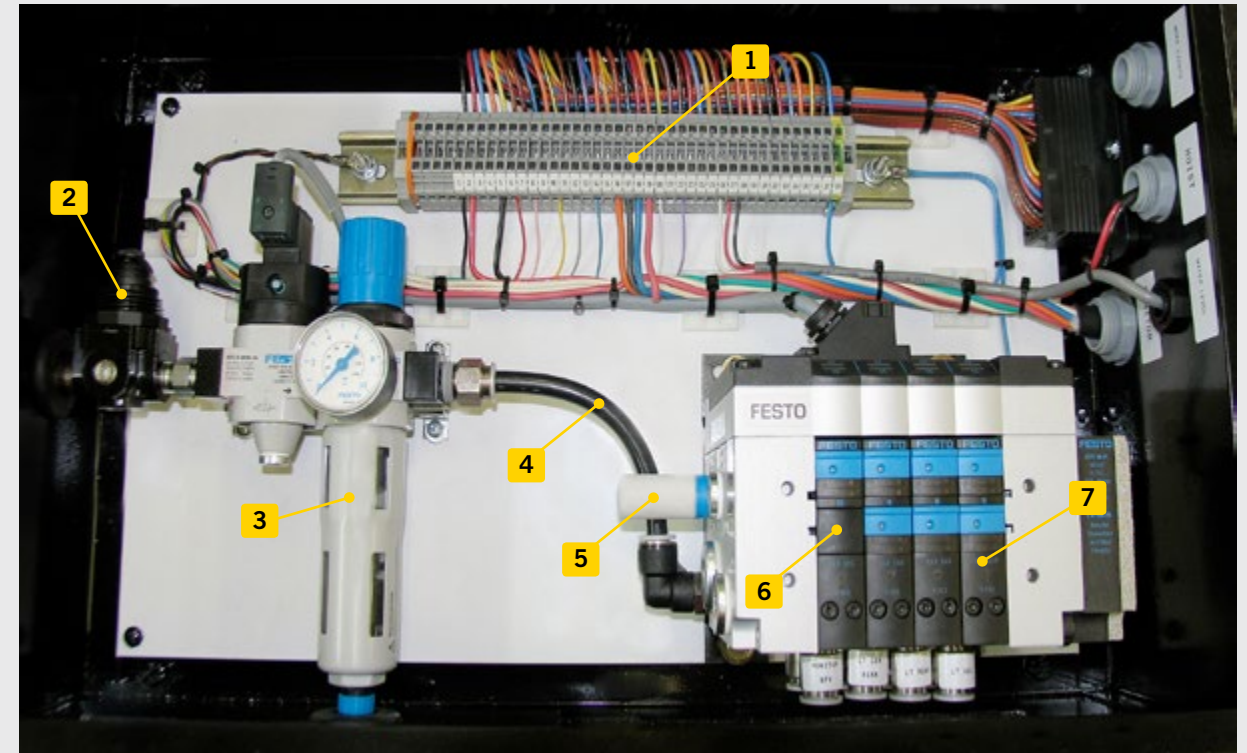
| ITEM | PART NO. | DESCRIPTION | QTY |
|------|----------|-----------------------|-----|
| 7 | 305022 | Switch, Momentary | 1 |
| 8 | 303128 | Cover, Carling Switch | 5 |

* Please call Mega Product Support at 505.345.2661 for correct application and for purchasing information.

Pneumatic Solenoid Control Module

Comes with Electro-Pneumatic Spray System Kit

- 24 Volt DC • 60-100 psi



| ITEM | PART NO. | DESCRIPTION | QTY |
|------|----------|---------------------------------|-----|
| 1 | 303827 | Terminal, Block, 2-Conductor | 40 |
| 2 | 300945 | Valve, Pressure Protection | 1 |
| 3 | 304945 | Air Regulator, Shut-Off Valve | 1 |
| 4 | 351141 | Tubing | 1 |
| 5 | 304947 | Muffler | 1 |
| 6 | 304948 | Valve, 4- Way, N.C, BFV | 1 |
| 7 | 304929 | Valve, Air/Electric, 3-Way, N.C | 3 |

REV 00C

MANUAL PNEUMATIC SPRAY SYSTEM



The manual pneumatic spray system is a simpler, cost-effective alternative to the electro-pneumatic spray system, and is available for use on any 24 volt truck with a reliable air supply. The manual pneumatic system can be configured for either an electric or hydraulic water cannon, and comes with a separate tractor air supply protection valve, air-pressure regulator, and manual shut-off valve.

- ✓ Low cost system; affordable and easy to integrate.
- ✓ For rugged use in the harshest environments for mining and construction.
- ✓ Includes kit installation instructions with recommended support parts and technical drawings.
- ✓ Dependable and durable our spray system is the best in the market.
- ✓ Designed to endure harsh environments
- ✓ Buy parts online on our website or call our Parts Sales Department!
- ✓ Need to customize? Optional components available!

Manual Pneumatic Spray System Features and Benefits



Affordable and Reliable

For customers with pneumatic systems and tight budgets, Mega's manual pneumatic spray control system is our most cost-effective solution. It can control up to 8 spray heads, one water cannon, and one auxiliary butterfly valve-operated component.



Adaptable

Mega's manual pneumatic spray system is highly adaptable; it can be installed on any chassis with an intact air system, and our knowledgeable Product Support specialists can help you with your installation every step of the way.



Complete

Even our most basic spray system kit comes with everything you need to complete your installation: air hosing, fittings, air regulator and filtration system, and complete installation drawings and instruction manuals.

Manual Pneumatic Spray System Kit



Kit Includes:

| ITEM | DESCRIPTION |
|------|---|
| 1 | Manual Pneumatic Spray System Installation Instructions |
| 2 | Mega Cab Control |
| 3 | Air Hosing |
| 4 | Mounting Hardware |
| 5 | Water Level Sensor Assembly |
| 6 | Air Regulator Assembly |

Optional components includes:

| |
|---|
| Pneumatic Spray Heads |
| Spray Head Base Plates and Plate Adapters |
| Water Pumps |
| Hydraulic Drive Motor and Flow Control |
| Water Pump Flanges and Mounts |
| Mega Water Cannon Kit |

Kits are subject to change. If you have any questions please contact your Mega sales representative at 505.345.2661 or toll free at 1.800.345.8889.

Mega Cab Control*

Comes with Manual Pneumatic Spray System Kit

- 6 Spray Heads & Timer
- Water Level
- Drain & Dump bar
- Monitor & Adjustable Nozzle
- Work Lights

To purchase the complete Mega cab control please contact our Product Support or Part Sales Department at 505.345.2661 or toll free at 1.800.345.8889.



9 CALIBRATION TOOL, WATER LEVEL SENSOR

| ITEM | PART NO. | DESCRIPTION | QTY |
|------|----------|-------------------------|-----|
| 1 | 303041 | Joystick | 1 |
| 2 | 305019 | Switch, SPST Green Lens | 5 |
| 3 | 305022 | Switch, DPDT, Momentary | 1 |
| 4 | 307819 | Water Level Sensor | 1 |
| 5 | 038634 | Switch Cover | 2 |
| 6 | 300205 | Switch, Air Valve | 6 |

| ITEM | PART NO. | DESCRIPTION | QTY |
|------|----------|---|-----|
| 7 | 303083 | Fuse Holder | 1 |
| 8 | 303235 | Fuse, 15 AMP | 1 |
| 9 | 308222 | Calibration Tool for Water Level Sensor | 1 |

* Please call Mega Product Support at 505.345.2661 for correct application and for purchasing information.

Air Regulator Assembly Part No. 026247

Comes with Manual Pneumatic Spray System Kit



| ITEM | PART NO. | DESCRIPTION | QTY |
|------|----------|------------------------------------|-----|
| | 026247 | Air Regulator | |
| 1 | 026246 | Mounting Plate | 1 |
| 2 | 026245 | Control Box | 1 |
| 3 | 303850 | Regulator Combo Filter & Air Valve | 1 |
| 4 | 352956 | Screw Self Tapping #8 X .50 | 4 |
| 5 | 300945 | Valve, Press Protection | 1 |

REV 00C 6/18/2018

WATER LEVEL SYSTEMS

All of our spray systems come with a water level sensor and at least one water level indicator. Mega offers three different water level sensors; choosing the correct one will depend upon the size of your water tank and the type of spray control system you have installed (DiSCS® vs non-DiSCS®). Contact your Mega Parts Sales or Product Support representative for assistance in choosing the right sensor.

1



Mega DiSCS® Water Level Indicator

2



Sensor, Water Level
For water tanks 75,700 L (20,000 gals) & below

3



Sensor, Water Level
For water tanks 113,550 L (30,000 gals) & above

4



Water Level Indicator

5



Calibration Tool, Water Level Sensor

6



Cable, Water Level

| ITEM | PART NO. | DESCRIPTION | QTY |
|------|----------|---|-----|
| 1 | 306626 | Mega DiSCS® Water Level Sensor | 1 |
| 2 | 303822 | Water Level Sensor, <120 | 1 |
| 3 | 304414 | Water Level Sensor, >120 | 1 |
| 4 | 307819 | Water Level Indicator* | 1 |
| 5 | 308222 | Calibration Tool for Water Level Sensor | 1 |
| 6 | 304591 | Cable, Water Level, 20 Feet | 1 |

* Comes With Bezel & Field Service Bulletin

Mega Spray System FAQ's

If I need a spray control system for a water tank application, what information do I need to provide?

FOR MEGA WATER TANKS- We will need the tank serial number, and prime mover model and serial number.

FOR NON-MEGA WATER TANKS-We will need pictures of the tank structure and the prime mover model and serial number.

With this information, Mega will configure a custom spray control system for your application. Please contact our Product Support Team at 505.345.2661 for chassis integration solutions.

I have an older Mega spray control system. What are my upgrade choices?

Mega provides upgrade solutions for both digital and analog spray control systems.

- DiSCS® 2.0 spray control systems are compact, reliable and durable, and include a separate water cannon joystick. DiSCS® 2.0 offers programmable water distribution modes to optimize water and fuel conservation.
- The new and improved analog spray control system incorporates a smaller cab box with a separate water cannon joystick box. The cab control also includes a programmable time-based water distribution mode as a standard feature.

Mega has a new DiSCS® spray control system available. Can I upgrade my existing DiSCS® system to the new version?

- The lite retrofit kit allows you to use many of your existing components.
 - The full retrofit kit provides a fully-assembled and wired solenoid box.
- A new pedestal may be required with both kits. Some customer labor is required for installation of these kits

What other options are available when upgrading to a new Mega spray control system?

Mega offers several optional features that enhance the value of our spray control systems.

- **Pump Motor Assembly Kit** - This kit includes a pump, motor, motor mount, fasteners, gaskets, riser, sump flange and hydraulic crossover kit. Carbon, corrosion resistant and full-stainless water pump options are available.
- **Water Cannon Kit** - This kit includes a stainless steel water cannon (hydraulic or electric), joystick control, butterfly valve (hydraulic or pneumatic), solenoid group, hoses and cabling.
- **Water Cannon Nozzles** - Mega offers a variety of hydraulic and electric nozzles for a multitude of applications.
- **Foam Agent Kit** - Mega foam kits include an external foam agent reservoir and a ground-level fill station. Foam agent kits do not include a foam nozzle or water cannon.
- **Hose Reel Kit** - Hydraulic, spring-rewind and manual hose reel kits are available. You can choose from several hose lengths and hose diameters.
- **Butterfly Valves** - Mega offers butterfly valves (hydraulic and pneumatic actuation) for controlling the water supply to dump bars and drains.
- **Prime Mover Integration** - We design custom solutions to integrate Mega spray control systems with your specific prime mover.
- **Technical Assistance and Training** - Technical assistance, service advice and customer-specific training can be coordinated with our Product Support Team (link to Product Support Team landing page).

Thank You

For Your Business



GENUINE MEGA

09-2019 Mega Spray Systems
700 Osuna Rd. N.E. • Albuquerque, NM 87113
1.800.345.8889 • 505.345.2661 • Fax 505-345-6190
www.megacorpinc.com

© Mega Corp. Inc. All Rights Reserved

www.megacorpinc.com

Follow us on social media. #MegaCorpWW

